

SFP-2.5G Series

1-port 2.5 Gigabit Ethernet SFP modules



Features and Benefits

- Digital Diagnostic Monitor Function
- Hot pluggable LC duplex connector
- Class 1 Laser International Safety Standard IEC 60825-1 compliant
- RoHS compliant

Certifications



Introduction

The SFP-2.5G Series 1-port 2.5 Gigabit Ethernet SFP modules are available as optional accessories for a wide range of Moxa switches.

Specifications

Ethernet Interface

Connectors	Duplex LC connector									
Optical Fiber						2.5G Ethernet SFP				
						SFP-M		SFP-S	SFP-LS	SFP-SLH
	Transceiver Type		Multi-mode				Single-mode	Single-mode	Single-mode	
	Fiber Cable Type		OM1	OM2	OM3	OM4	G.652	G.652	G.652	
	Typical Distance		170 m	200 m	550 m	600 m	5 km	20 km	45 km	
	Wave-length	Typical (nm)	850				1310	1310	1550	
		TX Range (nm)	830 to 860				1260 to 1360	1260 to 1360	1520 to 1580	
		RX Range (nm)	830 to 860				1260 to 1360	1260 to 1360	1500 to 1600	
	Optical Power	TX Range (dBm)	-1 to -7.5				-3 to -9	0 to -5	+1 to +4	
		Rx Range (dBm)	0 to -13.5				-3 to -15	0 to -16	+1 to -19	
		Link Budget (dB)	6				6	11	15	
Dispersion Penalty (dB)		2.5				2	1	1.5		
Typical Distance: To reach the typical distance of specified fiber transceiver, please refer to formula: Link budget(dB) > dispersion penalty(dB) + total link loss(dB)										

Power Parameters

Power Consumption	Max. 1 W
-------------------	----------

Environmental Limits

Operating Temperature	-40 to 85°C (-40 to 185°F)
Storage Temperature (package included)	-40 to 85°C (-40 to 185°F)
Ambient Relative Humidity	5 to 95% (non-condensing)

Standards and Certifications

Safety	CE, FCC, IEC 60825-1, UL 62368-1, IEC 62368-1, EN 62368-1
--------	---

Warranty

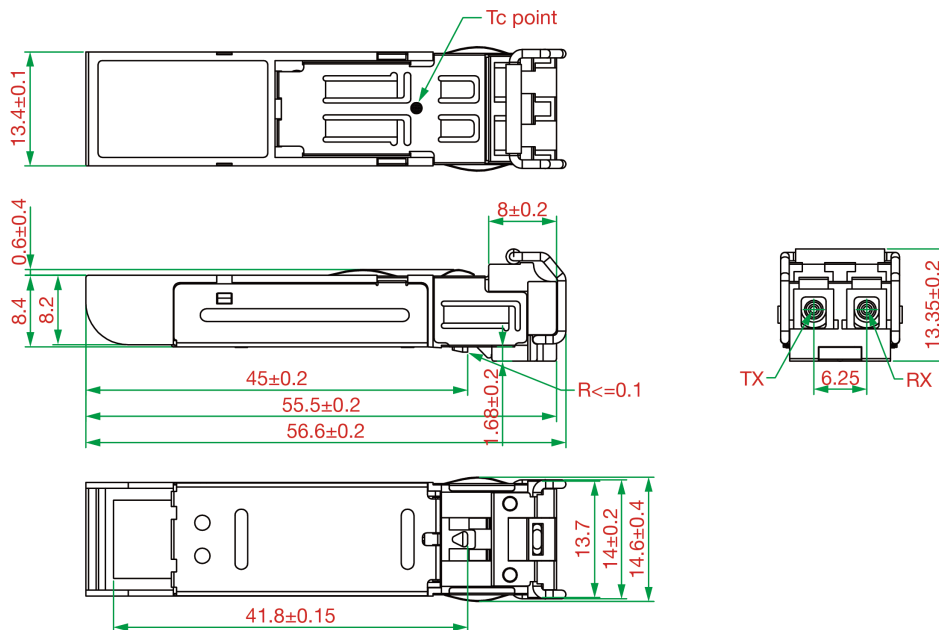
Warranty Period	5 years
Details	See www.moxa.com/warranty

Package Contents

Device	1 x SFP-2.5G Series module
Documentation	1 x warranty card

Dimensions

Unit: mm



Ordering Information

Model Name	Ports	Connector	Transmission Distance	Operating Temp.
SFP-2.5GMLC-T	1 x 2.5GBase-M, multi-mode	LC	170 m/200 m/550 m/600 m	-40 to 85°C
SFP-2.5GSLC-T	1 x 2.5GBase-S, single-mode	LC	5 km	-40 to 85°C
SFP-2.5GLSLC-T	1 x 2.5GBase-LS, single-mode	LC	20 km	-40 to 85°C
SFP-2.5GSLHLC-T	1 x 2.5GBase-SLH, single-mode	LC	45 km	-40 to 85°C

© Moxa Inc. All rights reserved. Updated Dec 27, 2021.

This document and any portion thereof may not be reproduced or used in any manner whatsoever without the express written permission of Moxa Inc. Product specifications subject to change without notice. Visit our website for the most up-to-date product information.